

MOBAND ALL

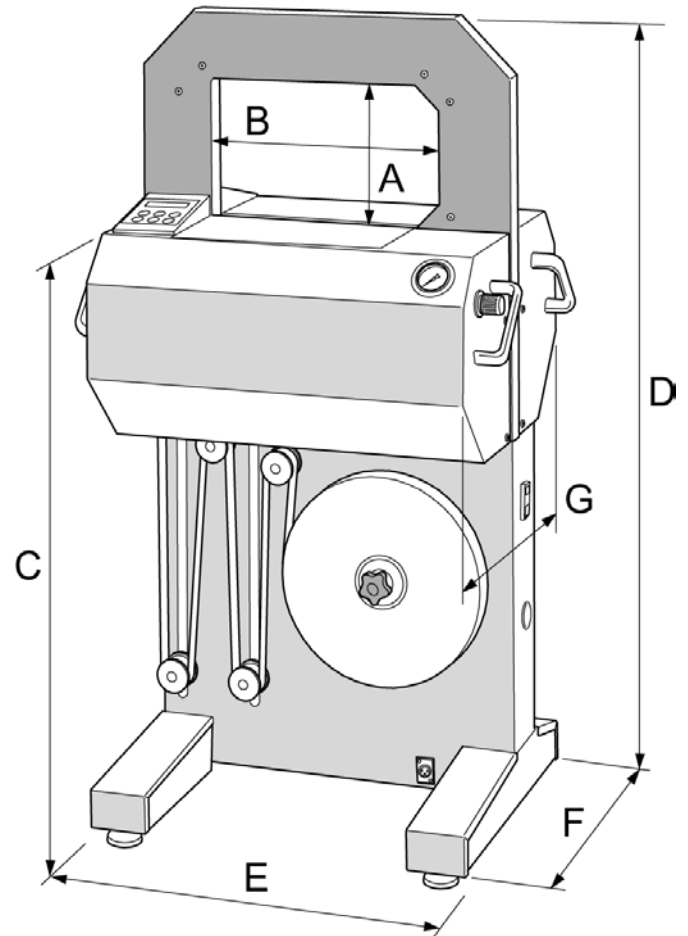


Banding Material

Available in 29mm, 49mm, 75mm and 100mm widths. Choose from paper or poly film. Any material can be preprinted in full color to meet customer specifications.

Machine Options:

- Stainless Steel Construction
- Print Register Device
 - Printed bands can be precisely positioned on product
- Side Feeder
 - Ideal for automated configurations
- Overhead Compression
- Custom Made Arch Sizes
- Foot Pedal
- Positioning Guide Plates



Voltage	115V
Frequency	60 Hz
Air Operation Pressure	90 psi
Air Consumption	3 cfm
Electrical Consumption	500 watts

Machine Type	A Max. Prod. Height	B Max. Prod. Width	C Working height	Total height	E Width	F Depth Stand	G Depth	Weight lbs.	Cycles/ Min.
B 18/29 mm	4"	7"	37 1/2"	45 1/2"	23 1/2"	19 1/2"	19 1/2"	155 lbs.	40
B 24/29 mm	6"	9"	37 1/2"	45 1/2"	23 1/2"	19 1/2"	19 1/2"	155 lbs.	38
B 32/29 mm	7 3/4"	12 1/2"	37 1/2"	47 1/2"	23 1/2"	19 1/2"	19 1/2"	155 lbs.	35
B 32/50 mm	7 3/4"	12 1/2"	37 1/2"	47 1/2"	23 1/2"	19 1/2"	20 1/2"	155 lbs.	35
B 32/75 mm	7 3/4"	12 1/2"	37 1/2"	47 1/2"	23 1/2"	19 1/2"	25"	165 lbs.	32
B 32/100 mm	7 3/4"	12 1/2"	37 1/2"	47 1/2"	23 1/2"	19 1/2"	25 3/4"	175 lbs.	30
B 40/29 mm	9 3/4"	15 3/4"	37 1/2"	51 1/2"	30"	19 1/2"	19 1/2"	200 lbs.	32
B 48/29 mm	11 3/4"	19"	37 1/2"	53 1/2"	30"	19 1/2"	19 1/2"	195 lbs.	30